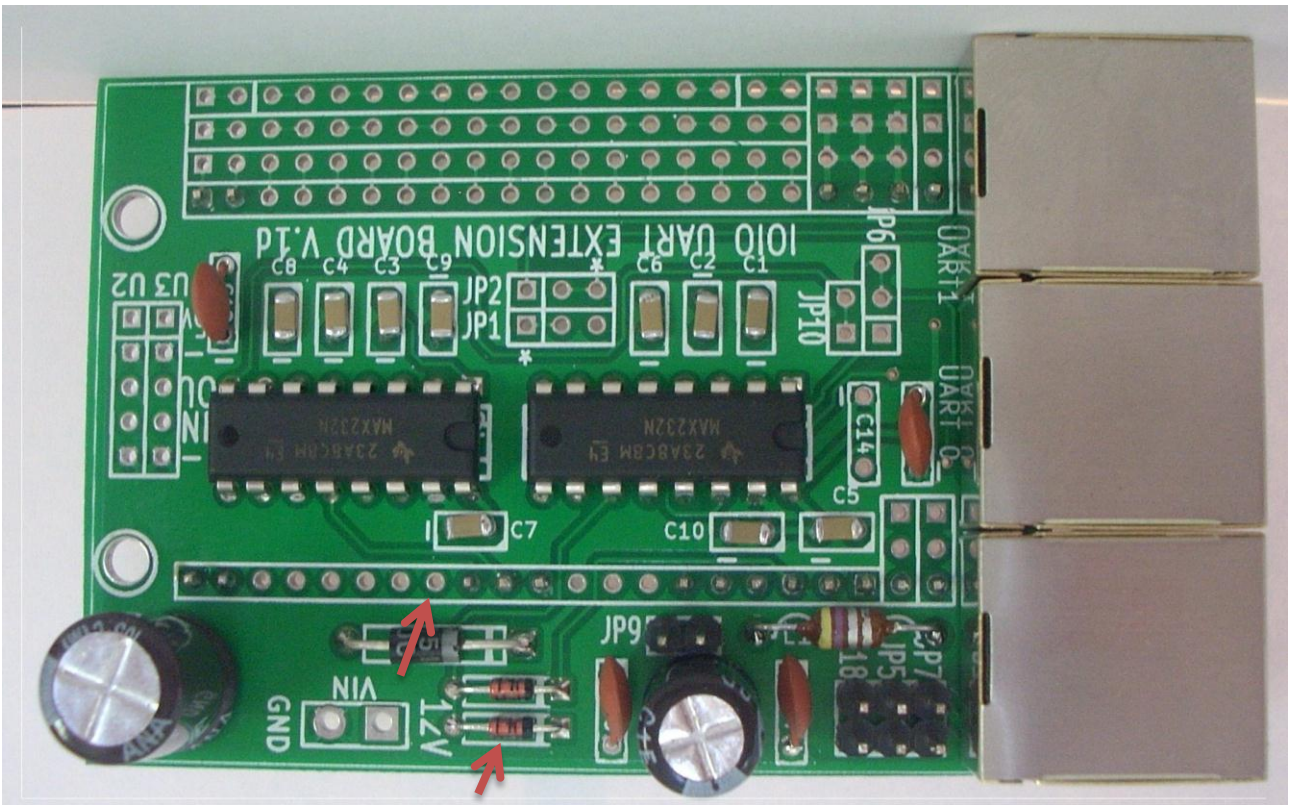


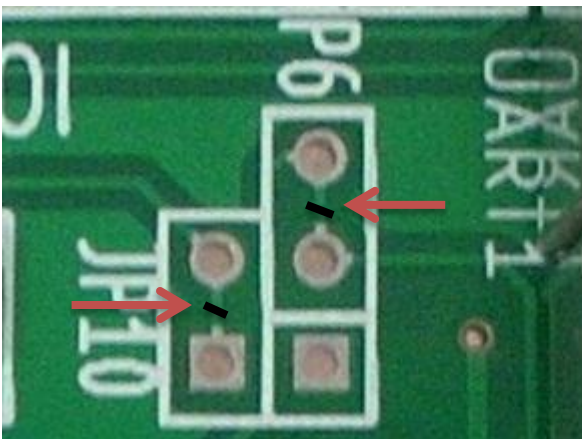
Rev.1d use half of uart3 circuit for uart0 splitter, if uart3 is needed it can be added with external ttl-serial converter or rev1d can be modified to act as the rev1.

Rev1 downgrade is described on following images.



-Remove diode D3

-Solder pinheader to pin 13



-Cut copper lines between JP10 and JP6 (black lines)

-Solder pinheader for jumper or wires for on-on toggle switch to the jp6 place, leave jp10 unconnected.